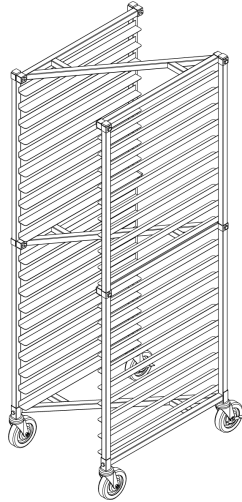


## PACKAGE CONTENTS:

QTY.(PCS)	DESCRIPTION
2	Side Frames
2	Big "Z" Mounting Brackets
1	Small "Z" Mounting Bracket
16	"U" Washers
12	Hex bolts
8	Nuts
2	Swivel Casters without Brake
2	Swivel Casters with Brake

Please identify and check to ensure that all spare parts are ready before installation.



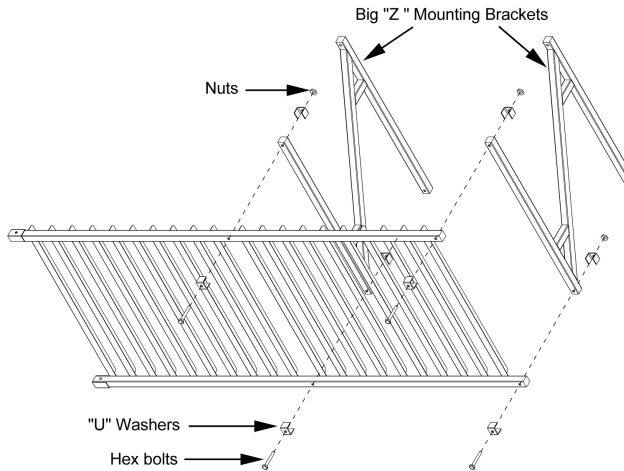
## STEP 1

1-1: Lay a rack's Side Frame on the floor and attach the big "Z" Mounting Brackets into the holes.

1-2: From the underneath, attach the "U" Washers and insert the Hex bolts through the "Z" Mounting Bracket.

Attach "U" Washers on the opposite side and Fix the bolts with Nuts.

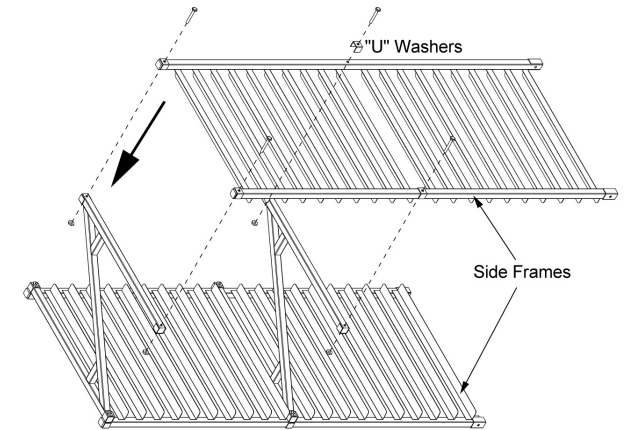
But do not fully tighten the bolts yet.



## STEP 2

2-1: Align and place the other Side Frame on the end of the "Z" Mounting Brackets.

2-2: Insert Hex bolts with "U" Washers and Nuts.

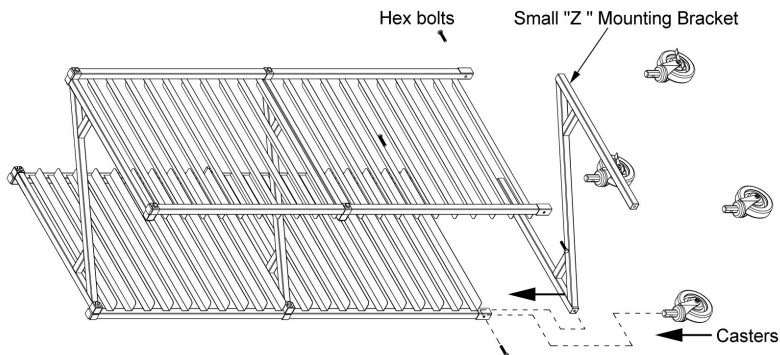


## STEP 3

3-1: Insert the 4 Casters into bottom ends of the side frames, make sure the holes in the casters line up with the holes in the frame.

3-2: Align and attach the Small "Z" Mounting Bracket between the side frames at the bottom.

Insert the Hex bolts through the frame and into the "Z" Mounting Bracket.



## STEP 4

4-1: Lift and place the rack upright, check balance and tighten all the bolts to complete the assembly.

